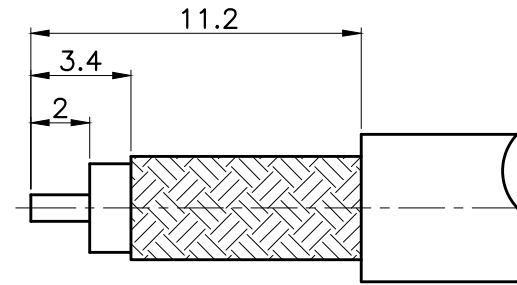
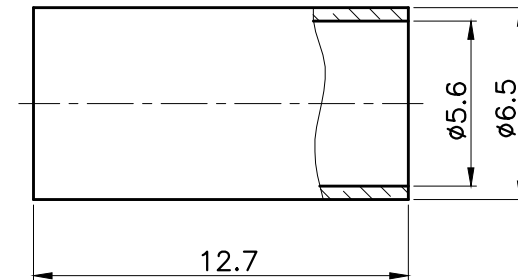
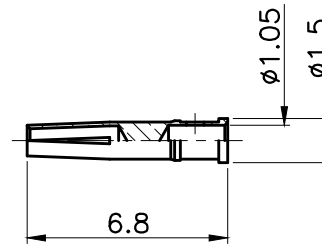
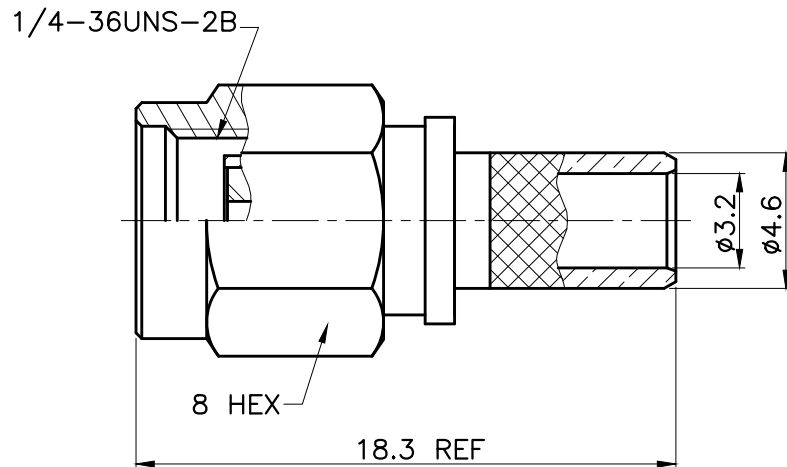


REVISIONS		
ISS	DESCRIPTION	DATE



RoHS COMPLIANT

RECOMMENDED
CABLE STRIPPING DIM'S



1. CRIMPED FERRULE
HEX CRIMP SIZE .213"
2. CONTACT PIN TO SOLDER



APRD:	UNLESS OTHERWISE SPECIFIED TOLERANCES 0.5-6 = ±0.2 >6-30 = ±0.4 >30-120 = ±0.6 >120-315 = ±1 >315-1000 = ±1.6 ANGLES = ±5°	FERRULE	BRASS	GOLD
CHKD:		PIN	PHOSPHOR BRONZE	GOLD
DR:		SHELL	BRASS	GOLD
TITLE: SMA MALE R/P CRIMP (FOR RG58/U)		C RING	STEEL	NONE
PART NO: SMAPCR58R	029	GASKET	RUBBER	RED
DRAWING NO:	DATE: 06/24/20"	INSULATOR	TEFLON	WHITE
	UNIT: mm	BODY	BRASS	GOLD
	SCALE: 4/1	NO. DESCRIPTION	MATERIAL	FINISH